



Smart Video Interphone RQ1

Specification

Update Record

No.	Version	Updates	Revision Date
1	Ver.1.0	Initial Release	2022.05.18
2	Ver.2.0	Add dimension drawing	2022.07.13

The document is subject to change without prior notice.

SHENZHEN SYSOLUTION TECHNOLOGY CO., LTD

Product Introduction

RQ1 is a SIP video intercom product developed specifically for the security industry, with the advantages of high reliability, high quality audio and video, with smart security, audio and video intercom and broadcast functions in one, waterproof and dustproof grade IP65, explosion-proof grade IK10, suitable for outdoor scenes, which can provide users with quality communication intercom services.

1. built-in HD camera and IR fill light with H.264 encoding.
2. built-in 3W speaker and AEC algorithm for high quality two-way hands-free calling.
3. protection level IP65.
4. aluminum alloy face shell, cast aluminum bottom shell, explosion-proof grade IK10.
5. tamper-proof design of the face cover, tamper-proof alarm trigger to report to the control center.
6. wide temperature operation -40°C to 70°C.
7. built-in 2-way short-circuit input and 2-way short-circuit output interface.
8. system online management and upgrade.
9. high compatibility with mainstream SIP-based IPPBX/soft switch/IMS platforms, such as Asterisk, Broadsoft, 3CX, Metaswitch, Elastix, Avaya, etc.

Product Image



Product Parameters

<p>Basic Functions</p>	<ol style="list-style-type: none"> 1. Two SIP lines 2. Full duplex hands-free calling 3. Only DSS key 4. Automatic answer and intercom function 5. Standard certification: IP65&IK10, CE/FCC
<p>Audio Features</p>	<ol style="list-style-type: none"> 1. Narrowband codes: G.711a/u, G.723.1, G.726-32k, G.729AB 2. Broadband coding: G.722 3. Full-duplex hands-free call, support Acoustic Echo Cancellation (AEC) - maximum 96ms echo delay cancellation 4. Voice Activity Detection (VAD) / Comfortable Background Noise Generation (CNG) / Background Noise Detection (BNE) 5. Packet loss compensation (PacketLossConcealment) 6. Dynamic adaptive jitter cache up to 300ms 7. DTMF: in-band audio (In-band), out-of-band-DTMF transfer (RFC2833)/SIPINFO
<p>Intercom function</p>	<ol style="list-style-type: none"> 1. Dynamic multicast function 2. Support ONVIF 3. Support custom DSS key 4. Network time synchronization

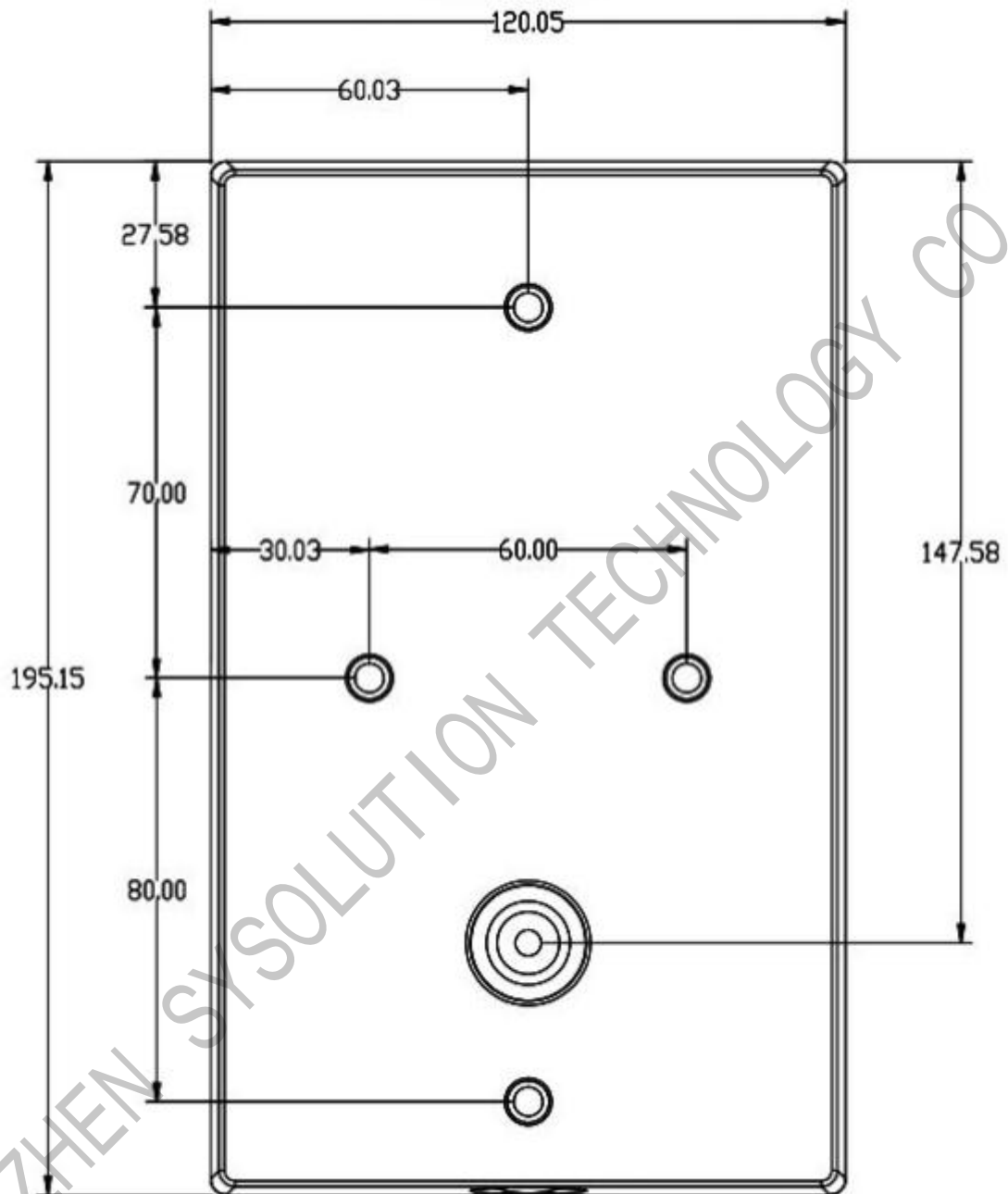
	<ol style="list-style-type: none"> 5. Action URL / Active URI
Video Features	<ol style="list-style-type: none"> 1. Sensor: 1/2.7" color CMOS 2. Pixels: 2 million, video encoding: H.264 3. Resolution: Main stream 1280×720@25fps Sub stream 704×576(D1)@25fps 4. Viewing angle: 112.(H), 84.(V)
Network Features	<ol style="list-style-type: none"> 1. 10/100Mbps Ethernet 2. IP acquisition method: static IP setting / DHCP / PPPoE 3. Support 802.1x network access rights authentication 4. Virtual Private Network (VPN): L2TP / OpenVPN
Related agreements	<p>SIP2.0 over UDP/TCP/TLS, RTP/RTCP/SRTP, STUN, DHCP, LLDP</p> <p>PPPoE, 802.1x, L2TP, OpenVPN, SNMP, FTP/TFTP, HTTP/HTTPS</p> <p>TR-069</p>
Configuration and Management	<ol style="list-style-type: none"> 1. Auto-Provisioning via FTP/TFTP/HTTP/HTTPS/DHCP OPT66/SIP PnP/TR-069 2. Web management interface 3. Web-based Packet-dump) 4. Configuration import/export 5. Software upgrade 6. Syslog

Working Parameters

Electricity supply	DC12V/1A or PoE
Operating temperature	-40 ~ 70°C
Storage temperature	-40 ~ 70°C
Relative Humidity	10% - 90%
Equipment size	195x120x34mm
Equipment weight	1015g

SHENZHEN SYSOLUTION TECHNOLOGY CO., LTD

Size



Thickness: 34mm

Unit: mm